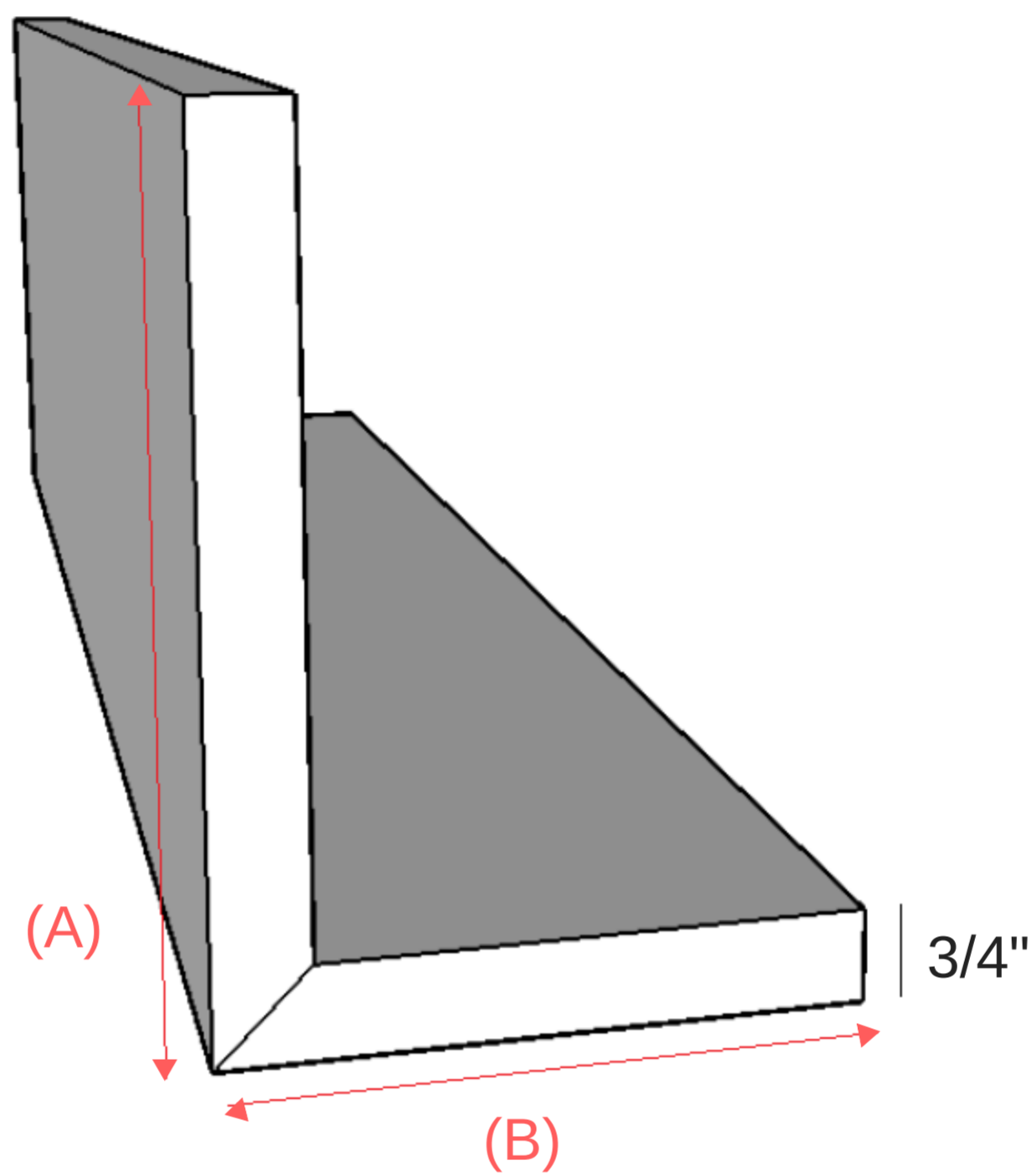
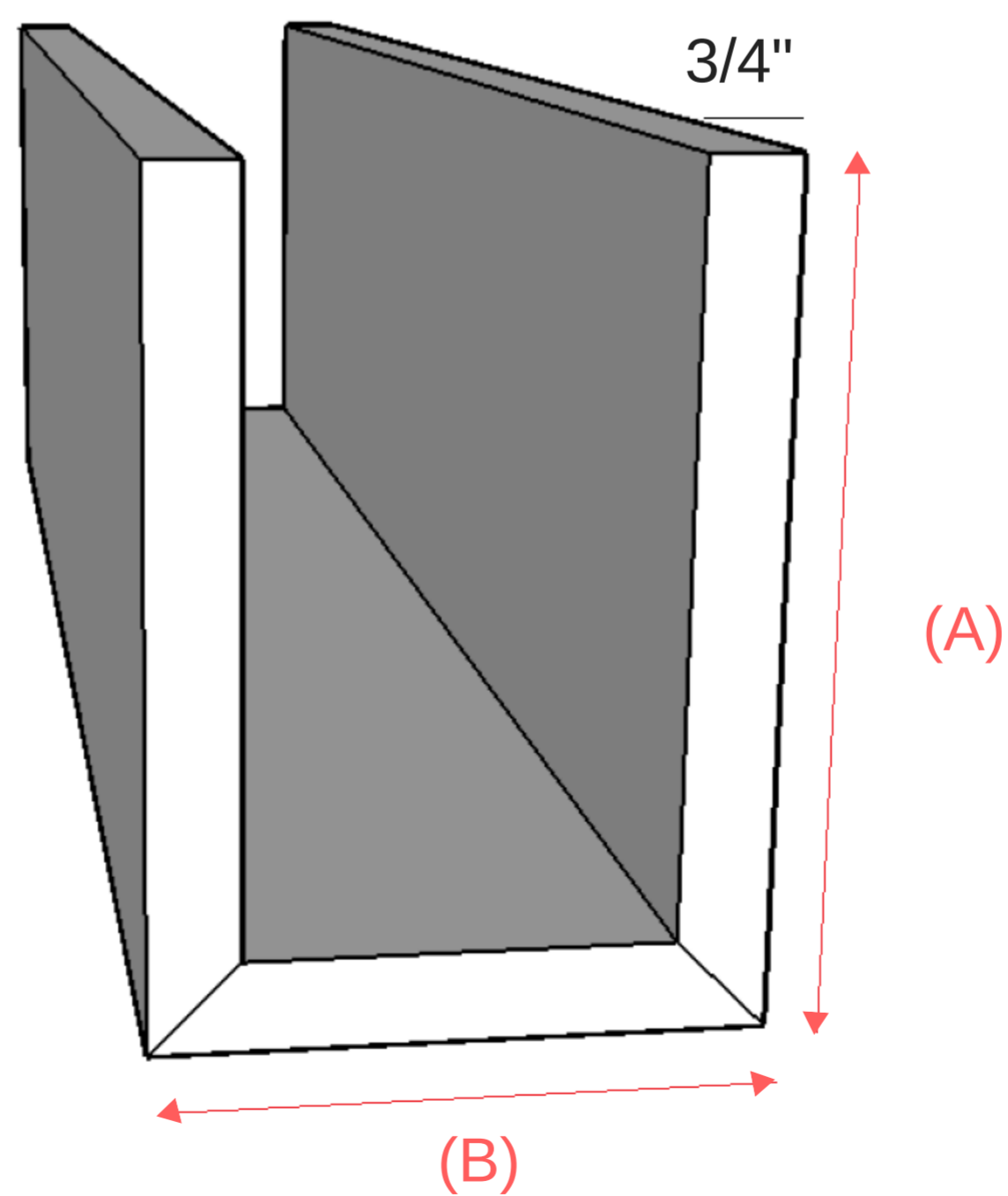


Beam Specifications

L Shaped Beam



U Shaped Beam

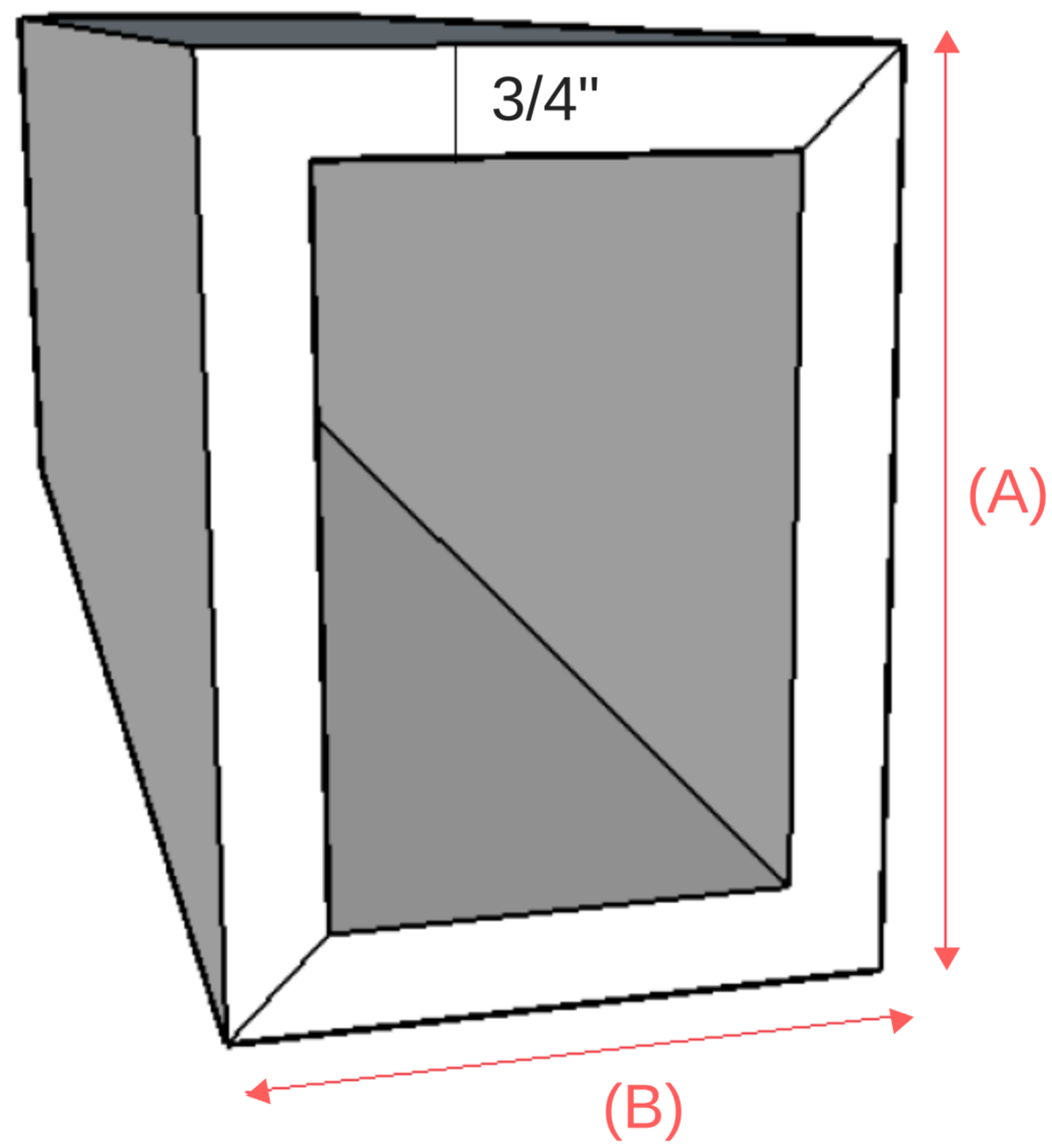


Measurements Required in Red (In Inches)

(A) - Height (B) - Width

Beam Specifications

Fully Cladded Beam



Measurements Required in Red (In Inches)
(A) - Height (B) - Width